



POWER PRESS ENGINEERS INDIA (P) LIMITED

CASE STUDIES



TI MEAL FORMING (TN)

Job Type: End to end Installation

Machine Capacity : 1050T



DIAMLER (TN)

Job Type : End to end Installation

Machine Capacity : 5000T Press



PLASTIC OMNIUM, GJ

Job Type : Electrical Panel Manufacturing for
Blow moulding machine



CAPARO (TN)

Job Type : Installation

Machine Capacity : 2500T



INERGY AUTOMATIVE PVT.LTD (TN)
Job Type :Installation of Blow moulding
machine



PLASTIC OMNIUM (GJ)
Job Type :Installation of Blow moulding
machine



POWER PRESS ENGINEERS INDIA (P) LIMITED

CASE STUDIES



PRABHA AUTO (TN)

Job Type : Installation , Erection & commissioning

Machine Capacity : 500T & 800T Press



BIMETAL BEARING (TN)

Job Type : Installation , Erection & commissioning

Machine Capacity : 200T Press



POWER PRESS ENGINEERS INDIA (P) LIMITED

CASE STUDIES



EVER BRIGHT PRODUCTS (TN)

Job Type :Installation , Erection & commissioning

Machine Capacity : 500T Press



WHEELS INDIA LTD (TN)

Job Type :Installation , Erection & commissioning

Machine Capacity : 2500T Press



BAY FORGE LTD (TN)

Job Type : Installation , Erection & commissioning

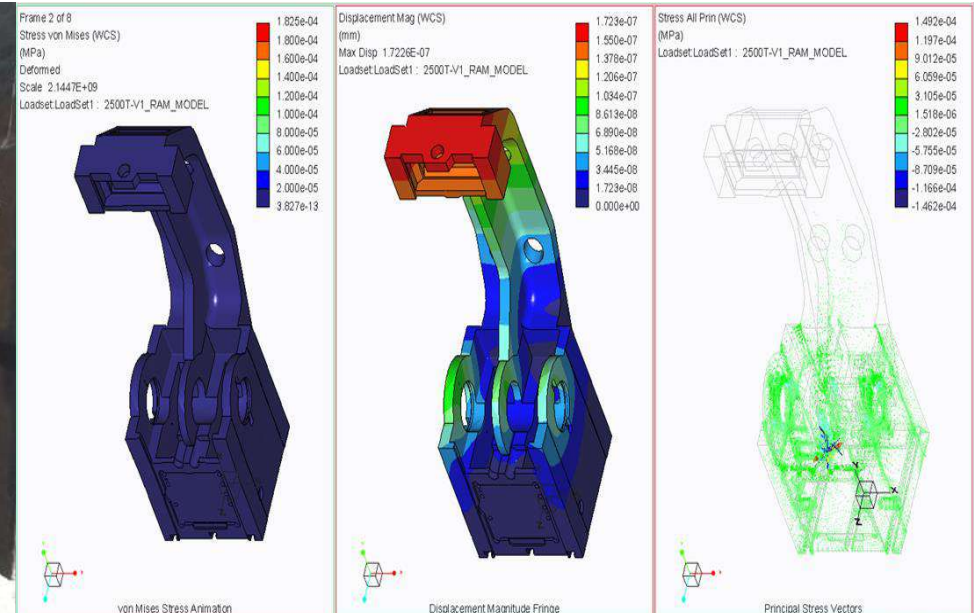
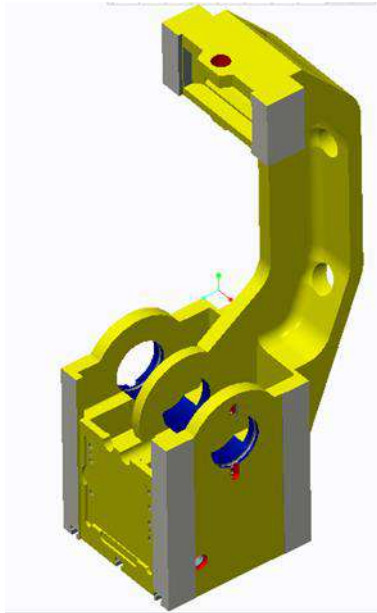
Machine Capacity : 3500T water press



HARITA FHERARE PVT LTD (TN)

Job Type : Design, Manufacturing, Erection & commissioning

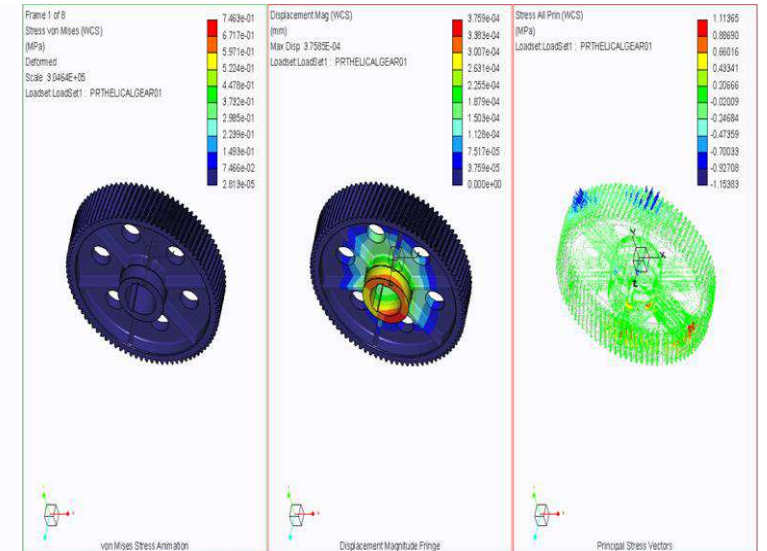
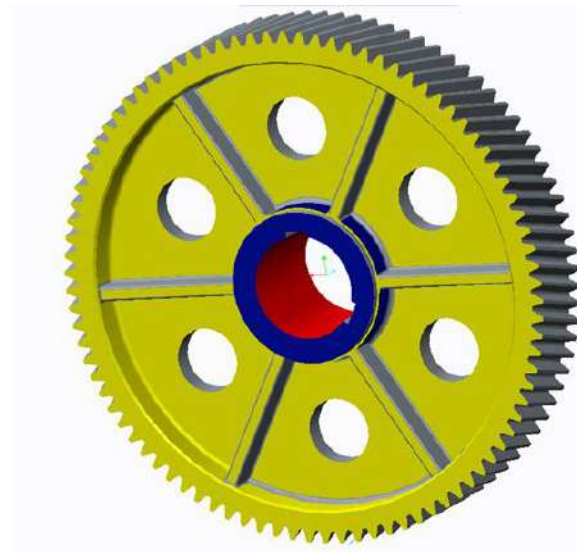
Machine Capacity : 20T Die changer



BILL FORGE LTD (KA)

Job Type : Design, Manufacturing & Analysis

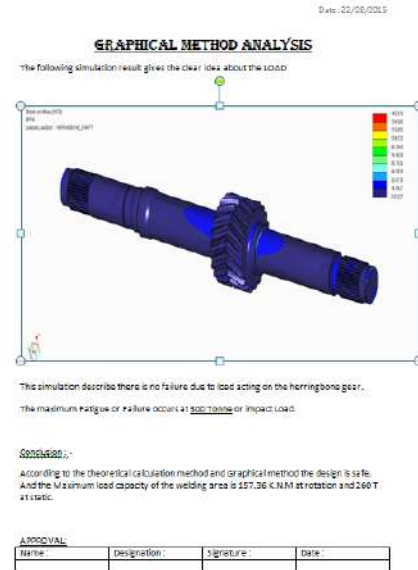
Machine Capacity :2500T press Ram



TI METAL FORMING (TN)

Job Type : Design, Manufacturing & Analysis

Machine Capacity :1050T press Gear



TOYOTA (KA)

Job Type : Design, Manufacturing & Analysis
Machine Capacity :300T press Helical Gear



NISSAN (TN)

Job Type : Design, Manufacturing & Analysis,
Installation.
Machine Capacity :1200T press Helical Gear



POWER PRESS ENGINEERS INDIA (P) LIMITED

RE CASE STUDIES



TOYOTA KIRLOSKER (KA)

Job Type : Design & Health Inspection

Machine Capacity : 800T press Gear



OWN PRODUCT

Job Type : Design & manufacturing of 4 point jack

Machine Capacity : 40T



POWER PRESS ENGINEERS INDIA (P) LIMITED GANTRY WORKS AT PLASTIC OMNIUM



PLASTIC OMNIUM (RANIPET)
Job Type : BMM INSTALLATION

INDIAN ETHOS GLOBAL PRESENCE



POWER PRESS ENGINEERS INDIA (P) LIMITED

GANTRY WORKS NASH INDUSTRIES



NASH INDUSTRIES

Job Type : 1250 T MACHINE INSTALLATION

Machine Capacity : 1250TON

INDIAN ETHOS GLOBAL PRESENCE

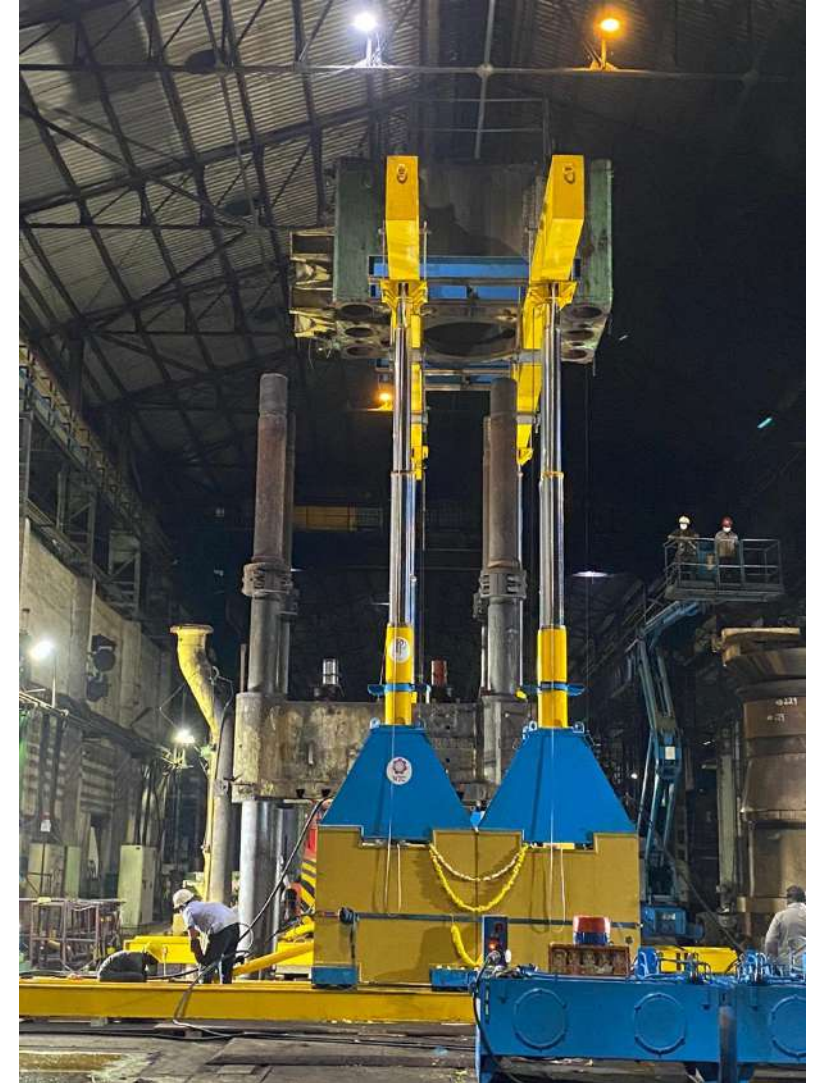


POWER PRESS ENGINEERS INDIA (P) LIMITED

GANTRY WORK AT BAY FORGE



BAY FORGE (TN)
Job Type : Machine Recondition
Machine Capacity : 3500T Press



INDIAN ETHOS GLOBAL PRESENCE



POWER PRESS ENGINEERS INDIA (P) LIMITED

RE CASE STUDIES



ASTRUM (TN)

Job Type : Transfer Press Installation

Machine Capacity : 400T press Gear



ASHOK LEYLAND (TN)

Job Type : Design and manufacturing

Machine Capacity : 800T press slide screw